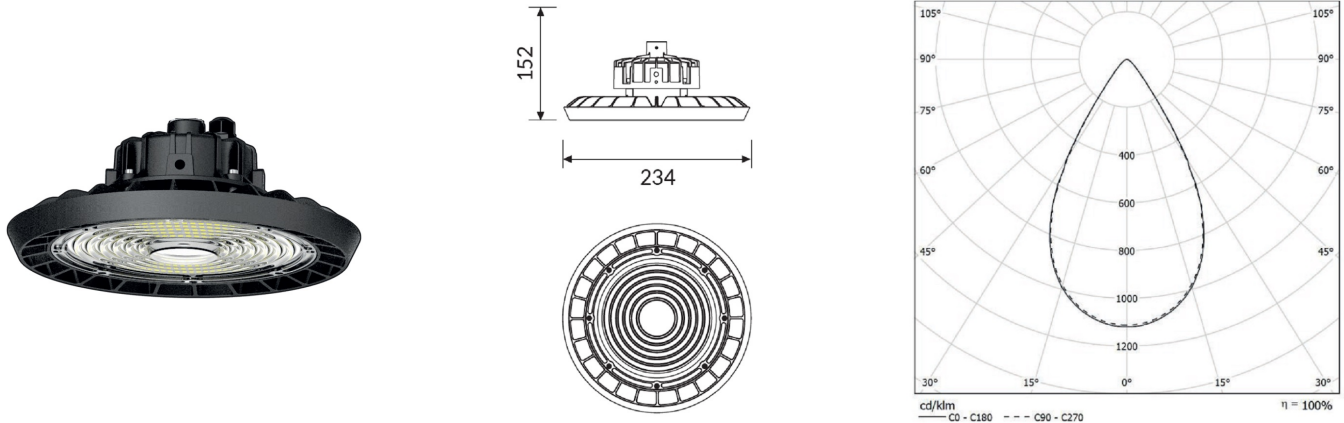


ERGO ESSENTIAL SMALL

Manufactured from die-cast aluminum with epoxy powder coating. CRI>80. IP65 indoor.



CODE		FLUX	SIZE	CERTIFICATIONS
02PC100K4110SE	100W 110° - 4000K	15000	234Ø	  

Ottica
Polycarbonate lens. Beam: 60° – 110°.

Specifiche
color temperature: 3000K/4000K
CRI>80
McAdams 3
IK10
Life Time: L80/B10 >50.000h
5 years warranty
Eye Safety: RG0/RG1 in accordance with con EN62471:2009
temperature range: -30° / +4c5

Corpo
Manufactured from die-cast aluminum with epoxy powder coating.

Riferimento Normativo
In compliance with the safety standards EN 60 598-1 and UNI EN 12464-1 (lighting for working places).

Wiring
RE: Standard wiring is 230-240V/50-60Hz with power factor >0.97